



OWNER'S MANUAL

Schwinn Roadster

- ASSEMBLY
- OPERATING
- ADJUSTMENTS
- MAINTENANCE
- WARRANTY

Ages 2-4 years

In the interest of safety, make certain that you read and understand all information and instructions included with and pertaining to this product.

Personal Care from **PACIFICCYCLE**



Congratulations on your new purchase!
Our Service Department is dedicated to your satisfaction with Pacific Cycle and its products.
For questions regarding performance, assembly, operation, parts or returns, contact the experts at Pacific Cycle directly by calling toll free

1-800-626-2811

8:00am - 5:00pm Central Time
Monday thru Friday
Or by email at

**DO NOT RETURN THIS ITEM TO
THE STORE. PLEASE CALL PACIFIC
CYCLE FOR ASSISTANCE.**

customerservice@pacific-cycle.com

Rules for Children

To avoid accidents, teach children good riding skills with an emphasis on safety from an early age.

1. Rider should always wear a properly fitted helmet that complies with US Consumer Product Safety Commission (CPSC) standard 16 CFR 1203
2. Continuous adult supervision required.
3. Allow only one rider.
4. Excessive weight may cause a hazardous or unstable condition
5. Do not play in driveways or the road.
6. Do not ride on busy streets.
7. Do not ride at night.
8. Obey all the traffic laws, especially stop signs and red lights.
9. Be aware of other road vehicles behind and nearby.
10. If riding downhill, be extra careful. Slow down using the brakes and maintain control of the steering.
11. Never take your hands off the handlebars, or your feet off the pedals when riding downhill.



The Consumer Protection Safety Commission advises that the riding of small wheel diameter toys at excessive speeds can lead to instability and is not recommended.

Children should be made aware of all possible riding hazards and correct riding behavior before they take to the streets
- Do not leave it up to trial and error.

A SPECIAL NOTE FOR PARENTS

This toy is intended for use by small children. As a parent or guardian, you bear the responsibility of ensuring the safety of your child. To make sure this toy is used safely, a responsible adult must supervise any child playing with it. This includes allowing it to be used only where and when it is clearly safe for a small child to do so and making certain that it is in good repair and secure operating condition.

Schwinn Roadster Assembly Instructions

Tools needed:

13mm (1/2") wrench, or 10mm crescent (adjustable) wrench,
Phillips screwdriver

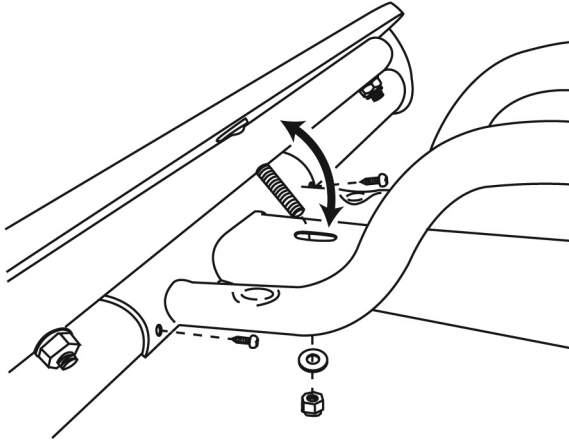
Parts list:

- 1) Main frame assembly
- 2) Rear frame assembly - rear frame, standing deck, rear wheels and fenders
- 2) Saddle assembly – saddle, carriage bolt, saddle-adjustment knob
- 3) Fork assembly – front fork, front wheel, front fender
- 4) Handlebar assembly – handlebar, grips, stem clamp

Before beginning assembly, unpack and inspect all parts listed above. If any parts are missing or damaged, DO NOT RETURN TRICYCLE TO DEALER. Please call 1-800-626-2811 for replacement or missing parts.

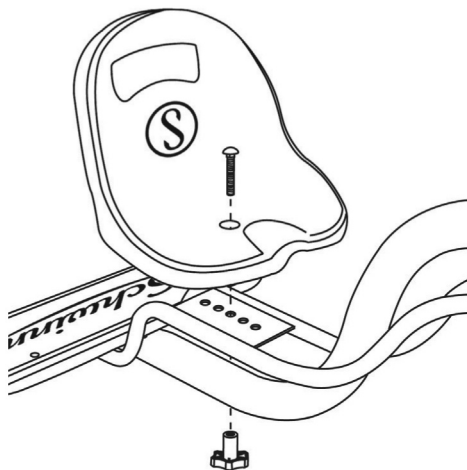
Step 1.

Attach main frame to rear deck. Assemble by aligning the rear axle against the “C” shaped support at the end of the main frame, then rotate rear deck assembly so that the attachment bolt protrudes through the frame. Secure frame with washer and locknut, and insert the two flanking screws.



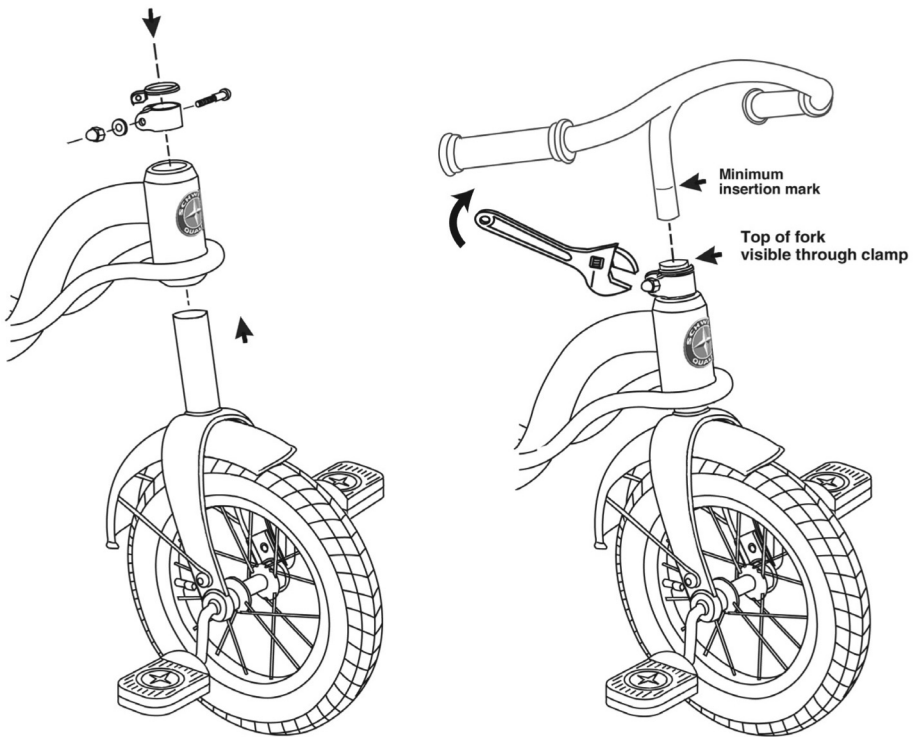
Step 2.

Position saddle on frame with carriage bolt protruding through center hole in frame. Tighten knob onto carriage bolt to lock saddle in position. Fore and aft saddle adjustment can be accomplished by removing the saddle-adjustment knob and re-tightening the knob and saddle in desired hole.



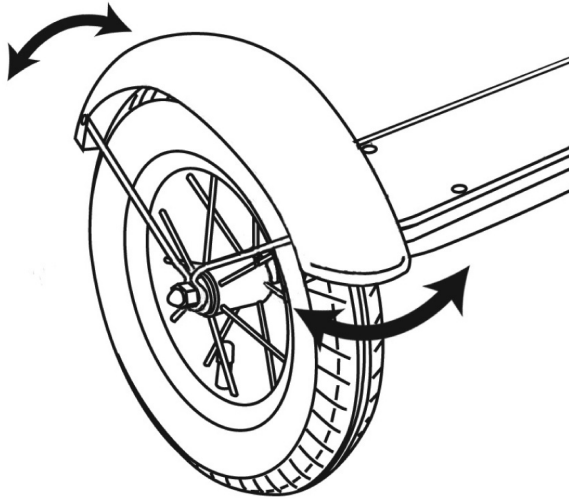
Step 3.

Insert fork assembly through head tube of frame assembly. Be sure that fork is completely inserted through frame to allow approximately 22mm (7/8") of fork steer tube to show through top of head tube. Push stem clamp onto fork steer tube. Stem clamp must fully seat onto fork steer tube. There should be no space between head tube and stem clamp. Insert handlebar into fork steer. Be sure to insert far enough to cover "Minimum Insertion" mark on handlebar. Align handlebar and front wheel, tighten stem clamp with 13mm (1/2") wrench.

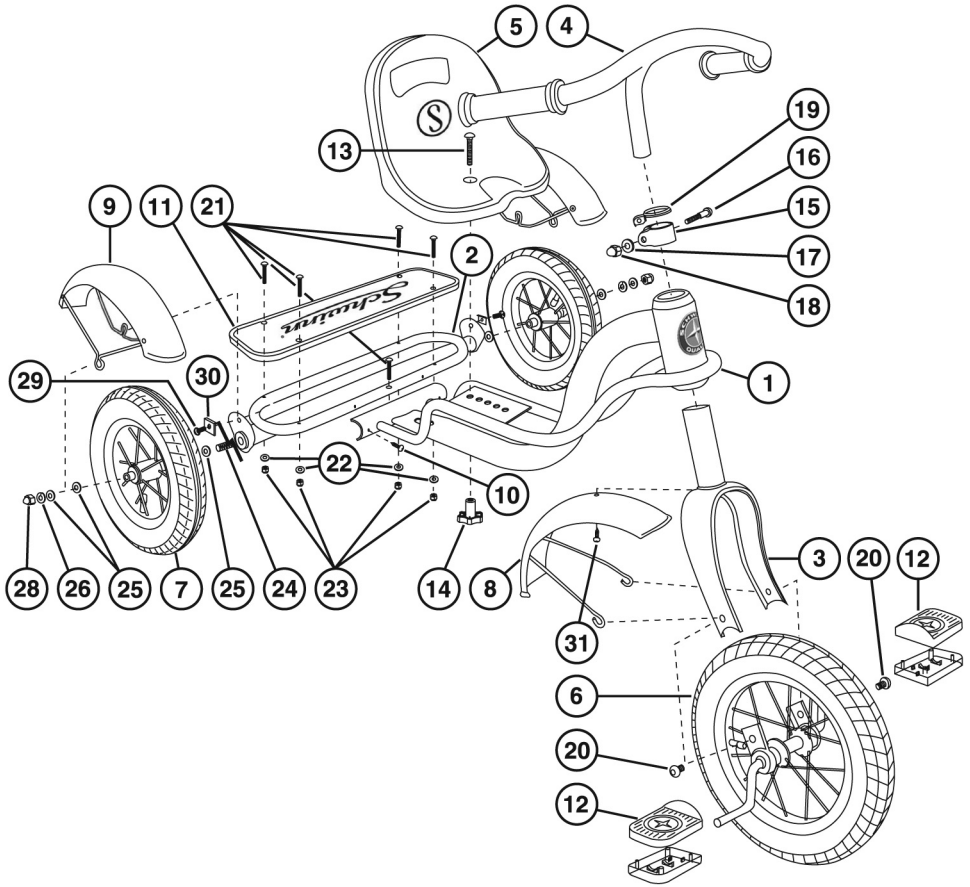


Step 4.

Inspect all wheels to be sure that they turn freely. If any wheel does not turn freely, check that fender is not rubbing on the tire. If it is, flex fender to the opposite side that it is rubbing on, until it is centered (see illustration). While holding front wheel, check that handlebar cannot be turned independently from wheel. Check that saddle carriage bolt and tightening knob are holding saddle securely. If necessary, tighten saddle-adjustment knob further.



Schwinn Roadster Parts Diagram



Schwinn Roadster Parts List

Key No.	Part Name	No. Req'd.
1.	Main Frame	1
2.	Rear Frame	1
3.	Fork	1
4.	Handlebar & Grips	1
5.	Saddle	1
6.	Front Wheel Assembly	1
7.	Rear Wheel Assembly	2
8.	Front Fender & Brace	1
9.	Rear Fender & Brace	2
10.	Main Frame Screws	2
11.	Rear Standing Deck & Frame	1
12.	Pedals	2
13.	Saddle Carriage Bolt	1
14.	Saddle Adjustment Knob	1
15.	Stem Clamp	1
16.	Stem Clamp Bolt	1
17.	Stem Clamp Washer	1
18.	Stem Clamp Acorn Nut	1
19.	Plastic Stem Clamp Cap	1
20.	Front Wheel Fender Bolts	2
21.	Rear Standing Deck Bolts	5
22.	Rear Standing Deck Washers	5
23.	Rear Standing Deck Nuts	5
24.	Rear Axle	1
25.	Rear Wheel Washers	6
26.	Rear Wheel Split Washers	2
27.	Rear Wheel Inner-Lock Nuts	2
28.	Rear Wheel Acorn Lock Nut	2
29.	Rear Wheel Fender Bolts	2
30.	Rear Wheel Fender Plate	2
31.	Front Fender Screw	1

LIMITED WARRANTY AND POLICY ON REPLACEMENT PROCEDURES AND RESPONSIBILITIES

Your purchase includes the following warranty which is in lieu of all other express warranties. This warranty is extended only to the initial consumer purchaser. No warranty registration is required. This warranty gives you specific legal rights and you may have other rights which vary from state to state.

The entire tricycle frame is guaranteed against faulty materials and workmanship for as long as the initial consumer purchaser has the bike, subject to the condition of the warranty listed below. If tricycle frame failure should occur due to faulty materials or workmanship during the guarantee period, the tricycle frame will be replaced. For frame replacement under this Pacific Limited Warranty, contact us, stating the nature of the failure, model number, date received and the name of the store from which the tricycle was received, at the address given on this page. Tricycle frames must be returned for inspection at customer's expense.

All other parts of the unit except Normal Wear Parts are warranted against defective materials and workmanship for a period of 1 year from the date of purchase by the initial consumer purchaser, subject to the Terms and Conditions of the warranty listed below. If failure of any part should occur during the warranty period, the part will be replaced for you if the failure was due to faulty materials or workmanship. All warranty claims must be submitted to the address below and must be shipped prepaid and accompanied by proof of purchase.

Any other warranty claims not included in this statement are void. This especially includes installation, assembly, and disassembly costs. This warranty does not cover paint damage, rust, or any modifications made to the bike. Normal Wear Parts are defined as grips, tires, tubes, and cables. These parts are warranted to be free from defects in material and workmanship as delivered with the product. Any claim for repair or replacement of Normal Wear Parts (grips, tubes, tires, cables, brake shoes, and saddle covering) and missing parts must be made within thirty (30) days of the date of purchase. The warranty does not cover normal wear and tear, improper assembly or maintenance, or installation of parts or accessories not originally intended or compatible with the tricycle as sold. The warranty does not apply to damage or failure due to accident, abuse, misuse, neglect, or theft. Claims involving these issues will not be honored.

Your tricycle has been designed for general transportation and recreational use, but has not been designed to withstand abuse associated with stunt-ing and jumping. This warranty ceases when you rent, sell, or give away the

tricycle, ride with more than one person, or use the tricycle for stunting or jumping. This warranty does not cover ordinary wear and tear or anything you break accidentally or deliberately.

It is the responsibility of the individual consumer purchaser to assure that all parts included in the factory-sealed carton are properly installed, all functional parts are initially adjusted properly, and subsequent normal maintenance services and adjustments necessary to keep the bike in goodoperating condition are properly made. This warranty does not apply to damage due to improper installation of parts or failure to properly maintain or adjust the bike.

NOTICE: Specifications subject to change without notice.

PACIFICCYCLE™  **DOREL**

**4730 East Radio Tower Lane/PO Box 344
Olney, IL 62450
Call Toll Free 1-800-626-2811
Monday - Friday 8:00 a.m. to 5:00 p.m. Central Time
Customerservice@pacific-cycle.com**

